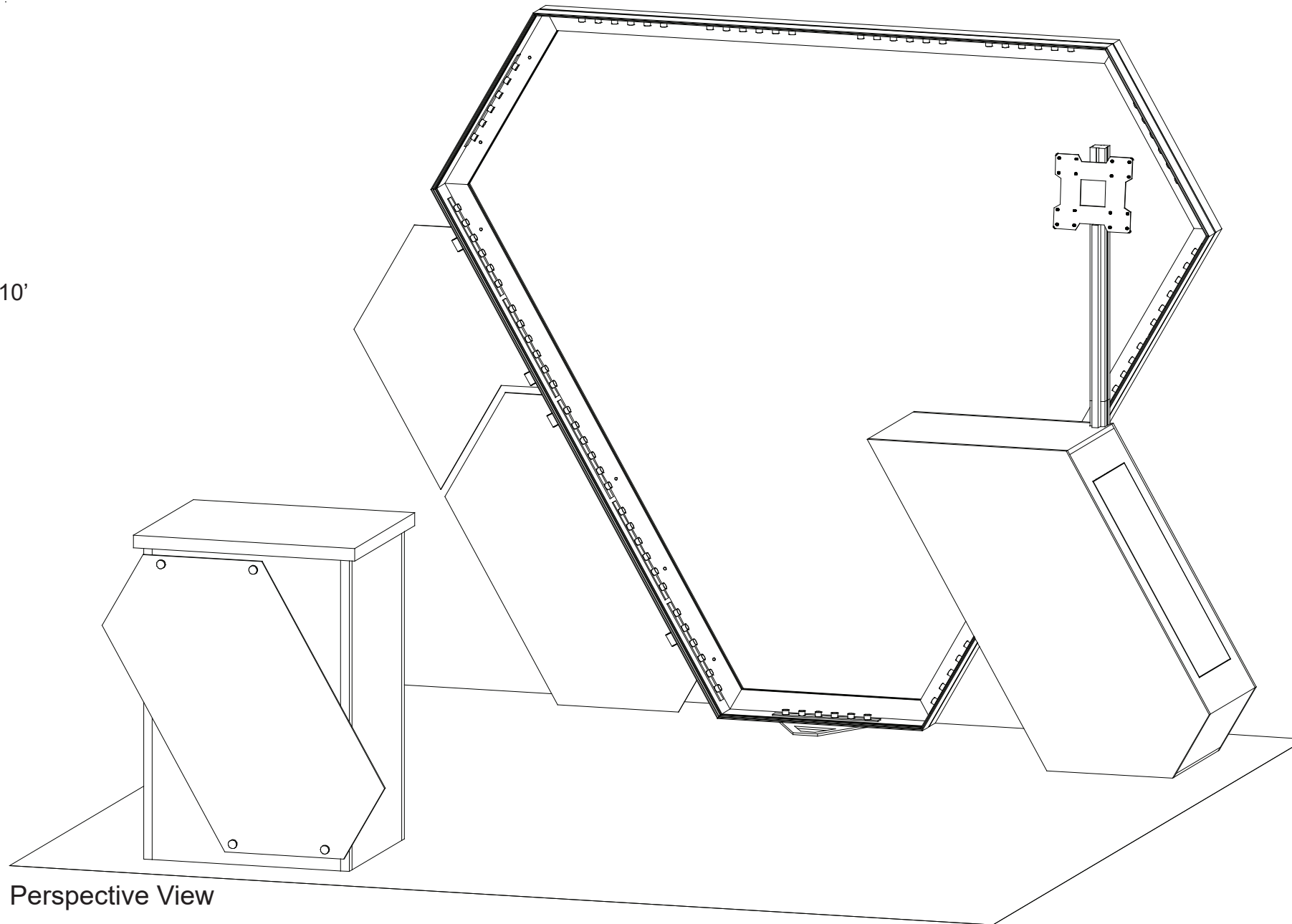


Top View

10'



Perspective View

General Setup Instructions

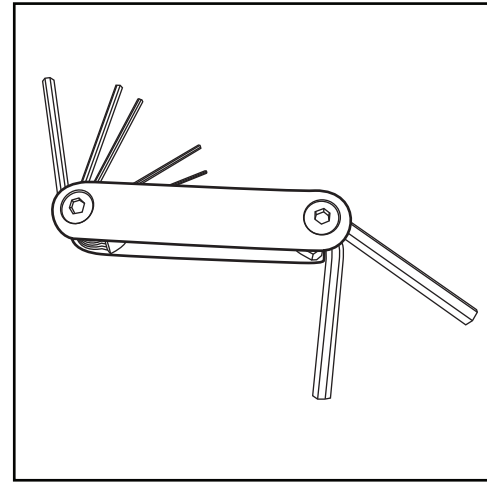
- Read entire setup instruction manual prior to unpacking parts and pieces.
- The setup instructions are created specifically for this configuration.
- Setup instructions are laid out sequentially in steps, including exploded views with detailed explanation for assembly.

Cleaning & Packing

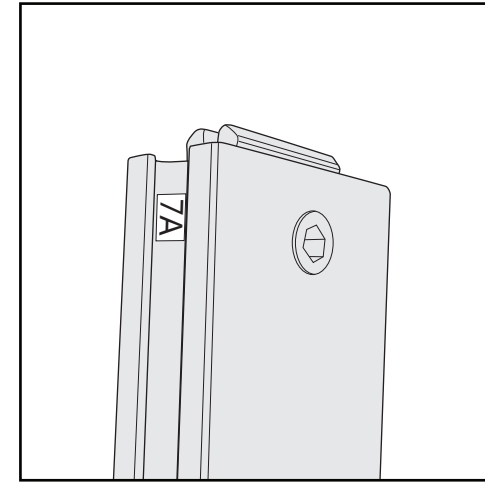
- For Cleaning Metal, Plex, & Laminate Parts: Use a **MILD NON-ABRASIVE** cleanser and soft cloth/paper towel to clean all surfaces.
- Keep exhibit components away from heat and prolonged sun exposure. **Heat and UV exposure will warp and fade components.**
- Retain all provided Packing Materials. All provided packing materials are for ease of repacking & component protection.

Disassembly

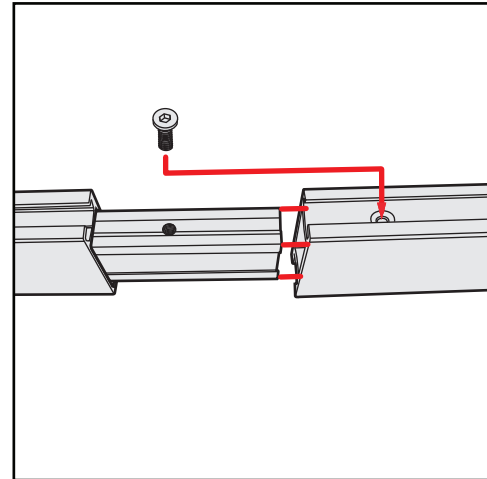
- For loss prevention, tighten all set screws and locks during disassembly.



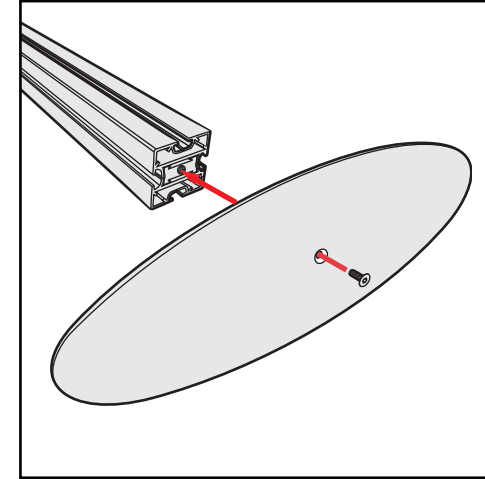
Hex Tool - Essential for Assembly



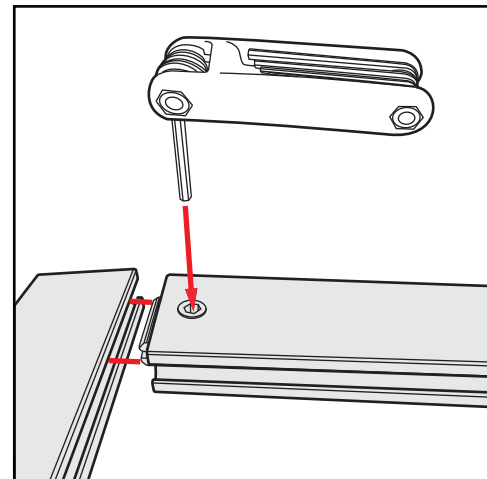
Part Identification - Numbering



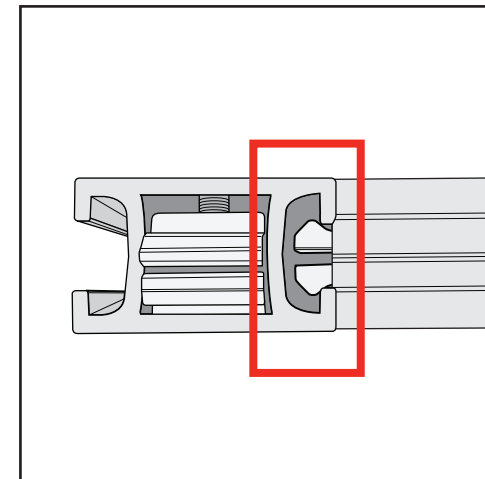
Spline Connection



Base Plate & Extrusion Connection



Extrusion & Lock Connection



Engaged Lock



WARNING



DO NOT USE POWER TOOLS



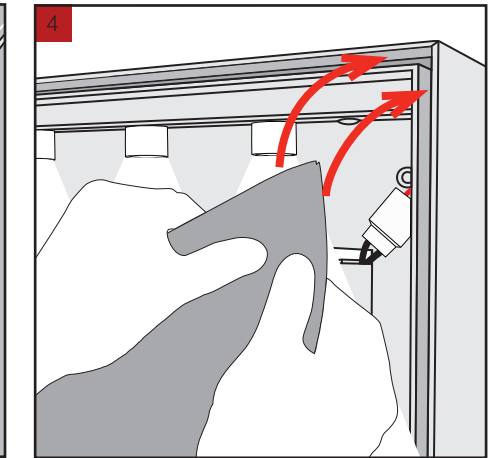
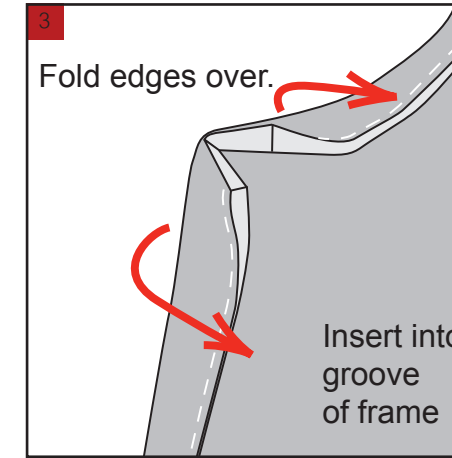
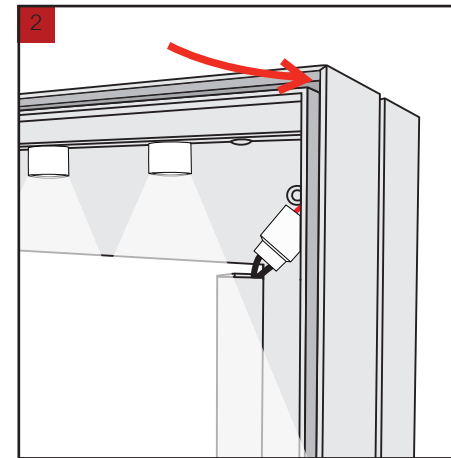
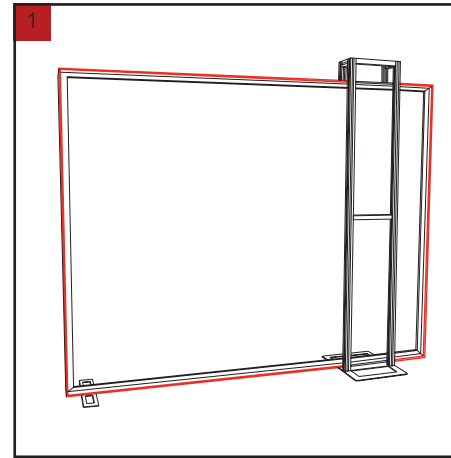
LADDERS OR LIFTS
MAY BE REQUIRED



ALL CONNECTIONS MUST
BE TIGHTLY SECURED

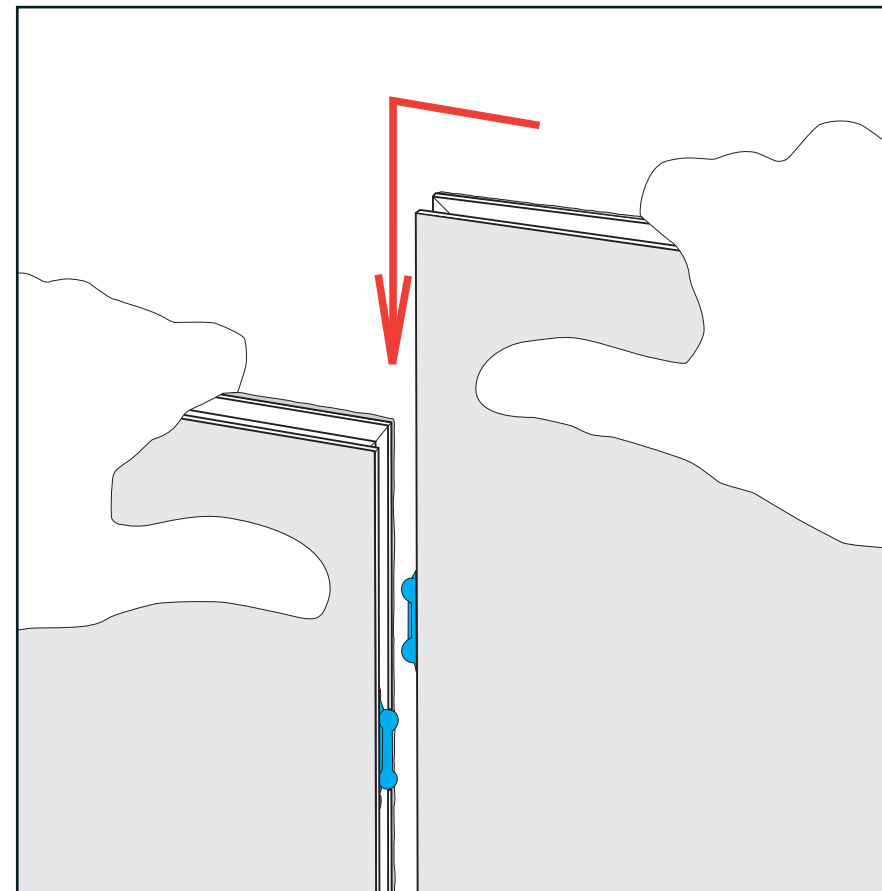
SEG Graphic Installation

- 1) Locate channels along the edges of extrusions
- 2) Insert graphic corners first into channels then center point of graphic into channels. Allows for proportional fit around the perimeter of the extrusion.
- 3) Working from center to corner, slide silicon edge on graphic into channel.
- 4) After all edges of graphic have been inserted into channels, step back and assess graphic fit, make adjustments where needed.



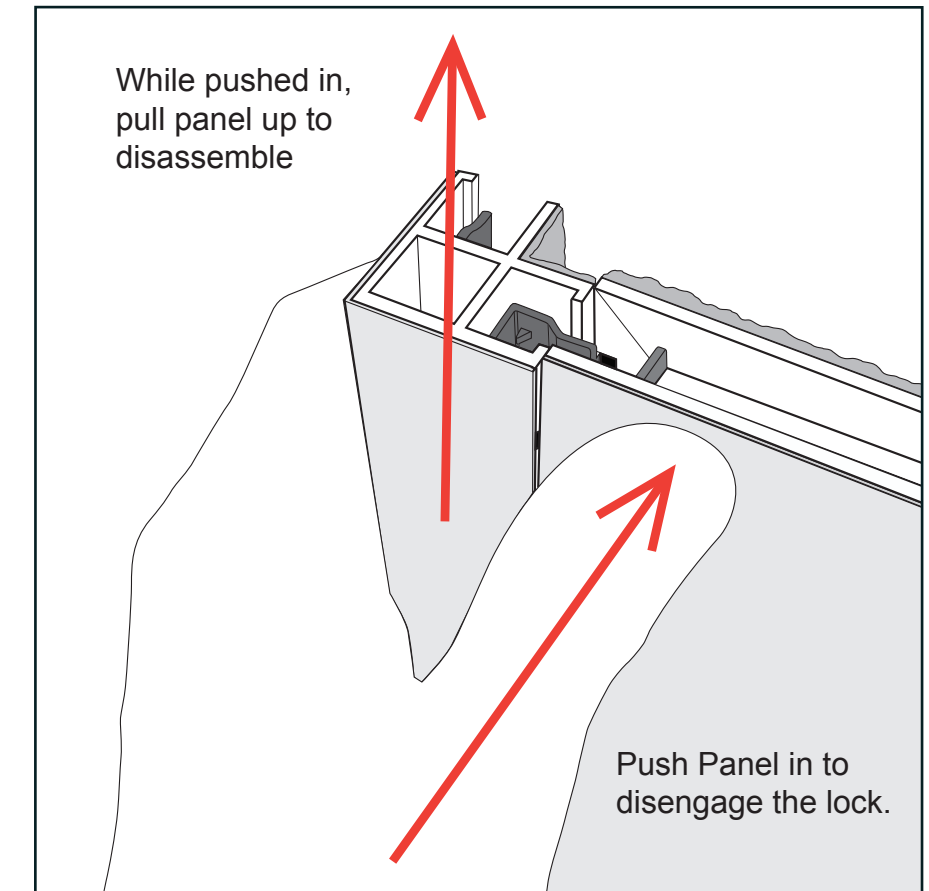
LT Panel Assembly

- 1) With a vertical offset, place LT-Panels side-by-side; slide vertically offset panel down to lock panels together and in place.
- 2) Corner Connectors (90°, T-Connector, Straight Connector) connect just as panels connect together. Repeat Step 1 for installing corner connectors to panels.



LT Panel Disassembly

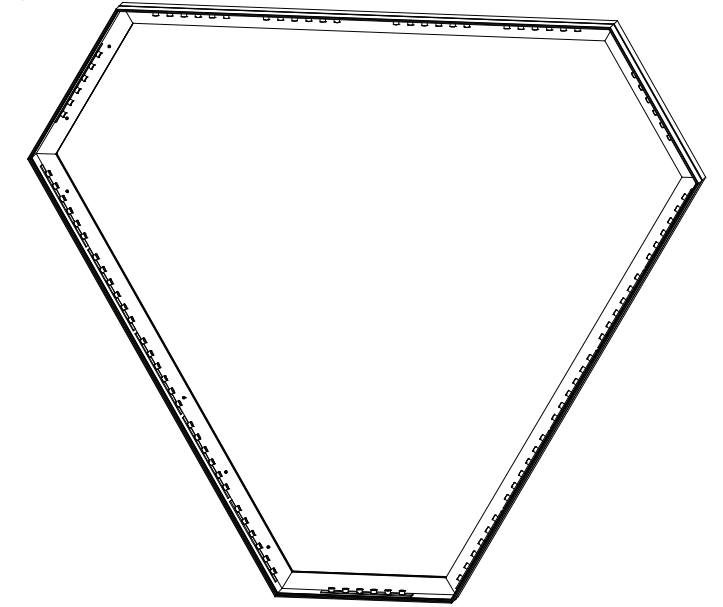
- 1) To disassemble push panel with upper locks horizontally to disengage top lock clip.
- 2) Slide panels or connectors vertically in opposing directions to release latches and disconnect parts.



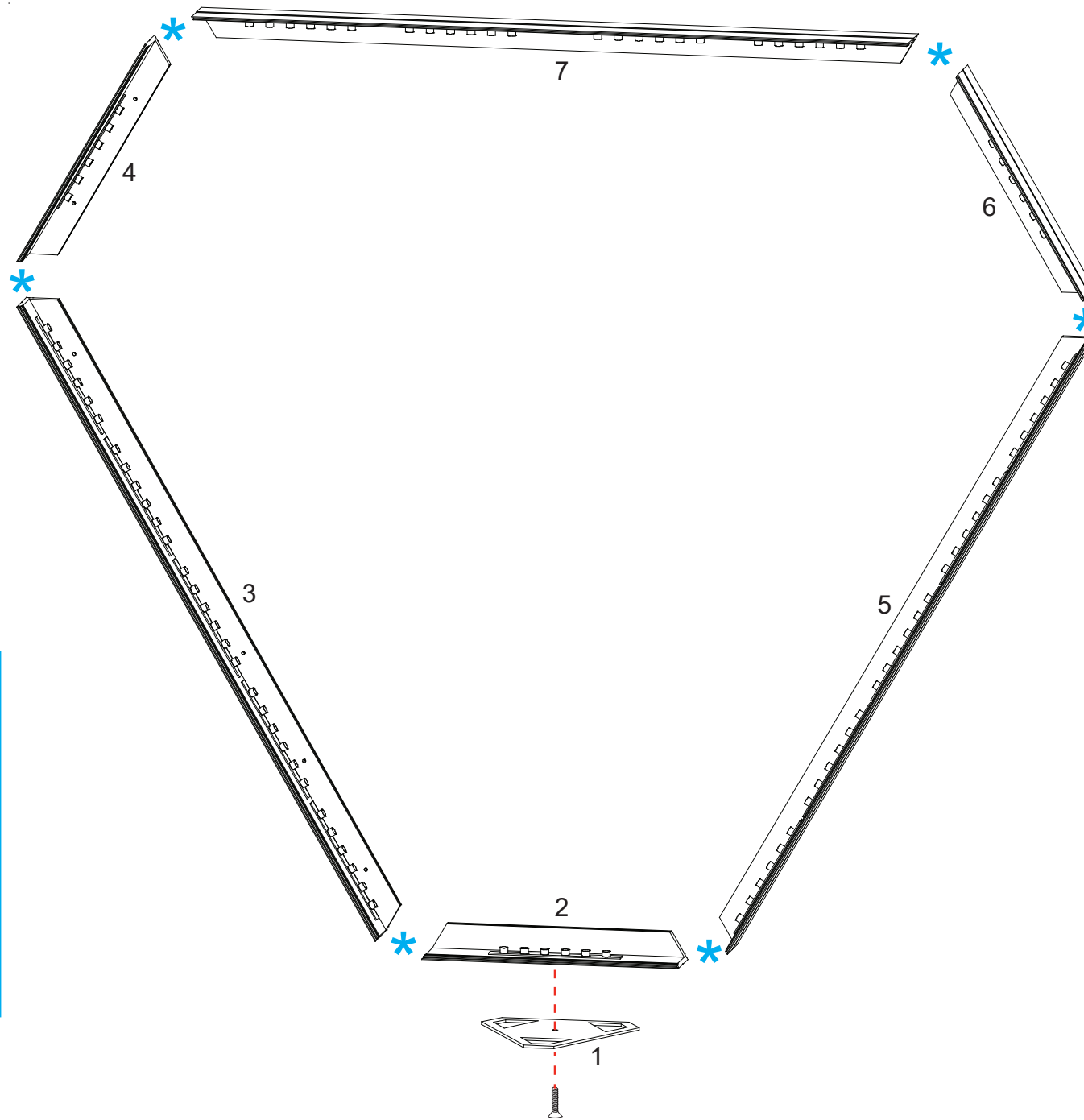
Item	Qty.	Description
1	1	Base Plate
2	1	70" CEI110 Horizontal Extrusion
3	1	70" CEI110 Angled Extrusion
4	1	25" CEI110 Angled Extrusion
5	1	70" CEI110 Angled Extrusion
6	1	25" CEI110 Angled Extrusion
7	1	70" CEI110 Horizontal Extrusion

Steps:

- 1) Attach base plate [1] to horizontal [2], using bolt.
- 2) Assemble extrusions together, as shown.
See [60° Corner Connection](#) detail.
- 3) Install SEG graphic to assembled frame.
See SEG Installation sheet for instruction.



Completed Assembly



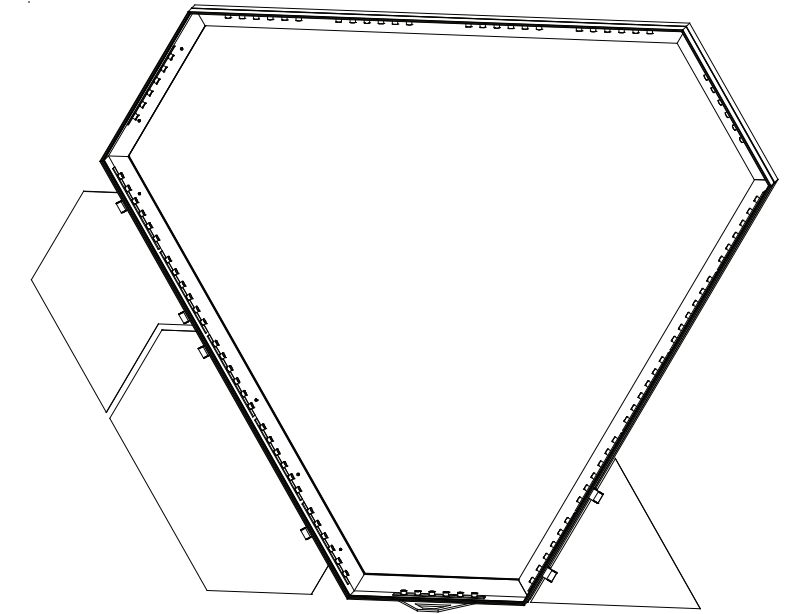
FRONT VIEW

*** 60° Corner Brackets**

- 1) Insert TSRV2 and A1 brackets into grooves of CEI110.
- 2) Slide connecting CEI110 over exposed end of brackets.
- 3) Tighten all set screws to secure.

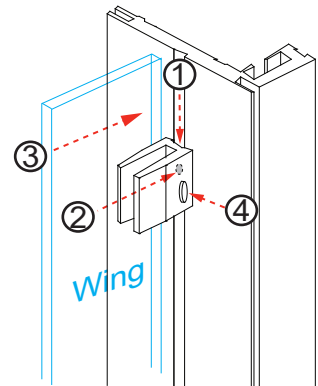
Steps:

- 1) Attach clamps to angled extrusions [3] and [5] then connect wings. See [Clamp Attachment](#) detail.

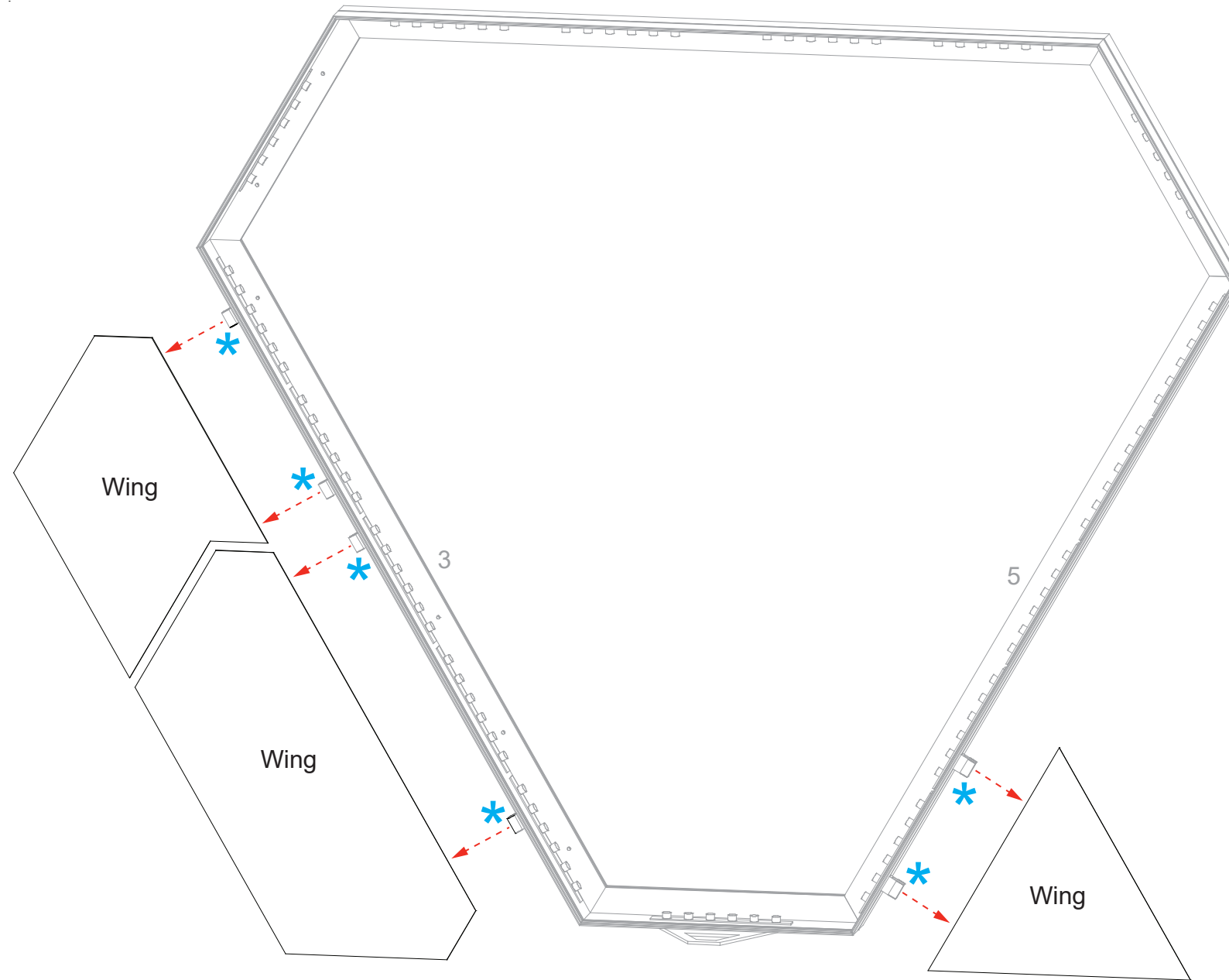


Completed Assembly

* Clamp Attachment



- 1) Slide clamp into groove of extrusion.
- 2) Tighten set screw to secure clamp to extrusion.
- 3) Insert wing into clamp.
- 4) Tighten knob to secure wing in place.

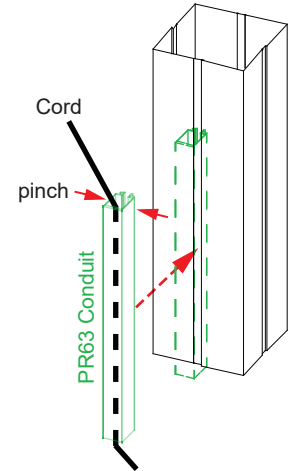


FRONT VIEW

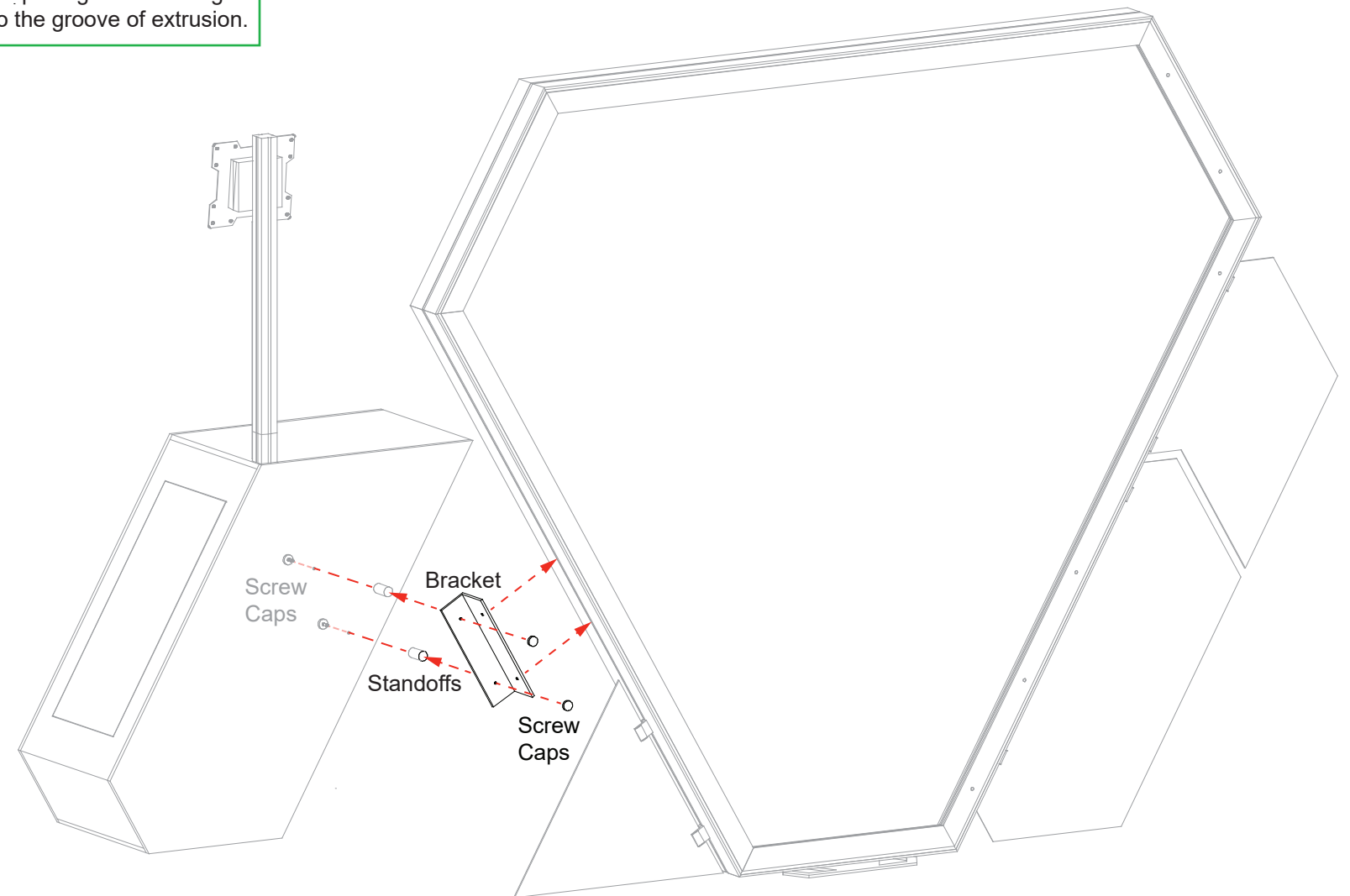
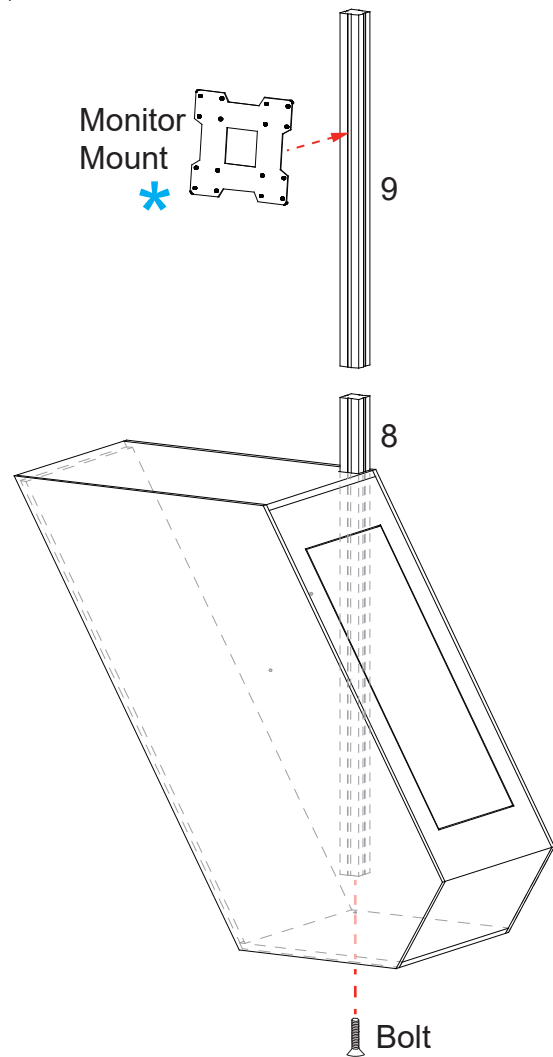
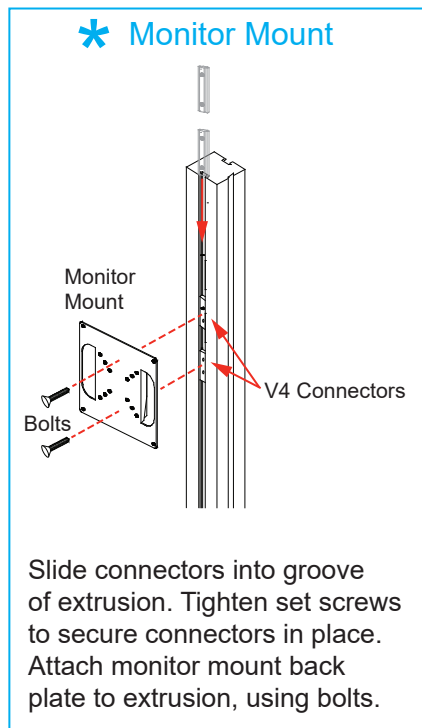
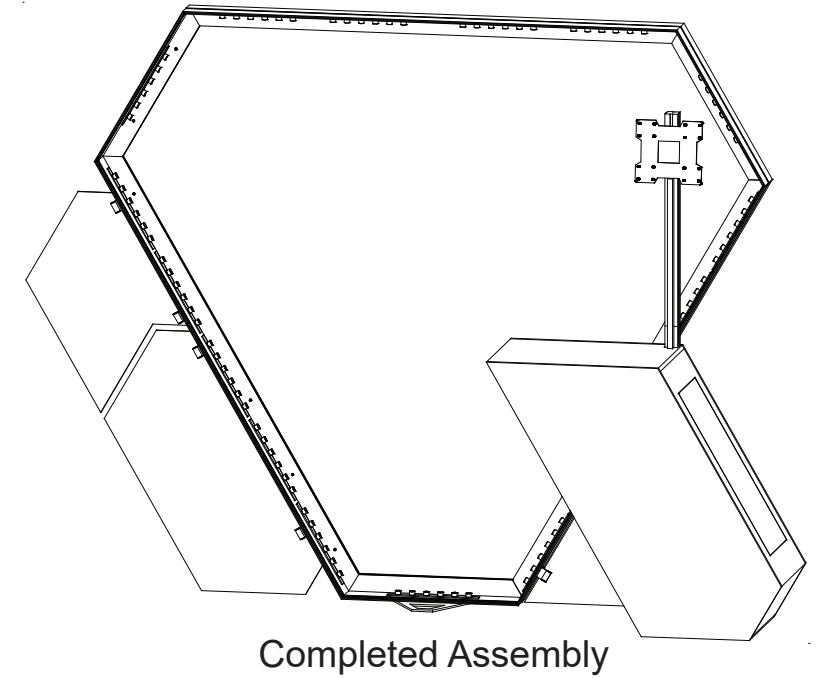
Item	Qty.	Description
8	1	40.5" Q914 Vertical Extrusion
9	1	30" Q914 Vertical Extrusion

- Steps:
- 1) Connect verticals [8] and [9] together.
 - 2) Attach assembled verticals [8/9] to assembled workstation floor, using bolt.
 - 3) Attach monitor mount to vertical [9]. See [Monitor Mount](#) detail.
 - 4) Attach bracket to angled vertical [3], using screw caps.
 - 5) Attach workstation to bracket, using standoffs and screw caps.
 - 6) Attach monitor then route cord through conduit.
See [Cord Management](#) detail.

Cord Management



Route cord through conduit. Attach conduit by pinching the opening and inserting into the groove of extrusion.

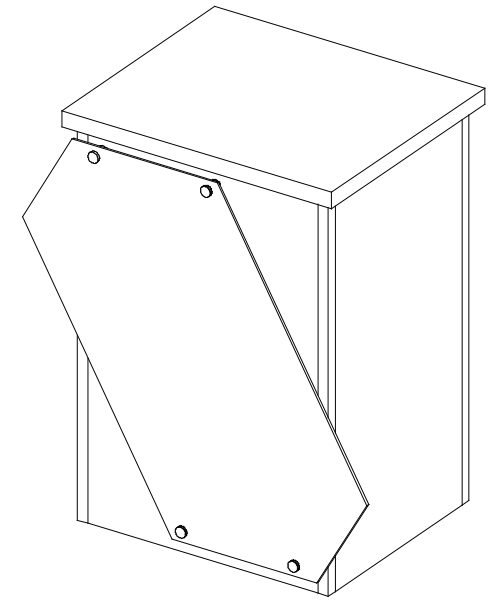
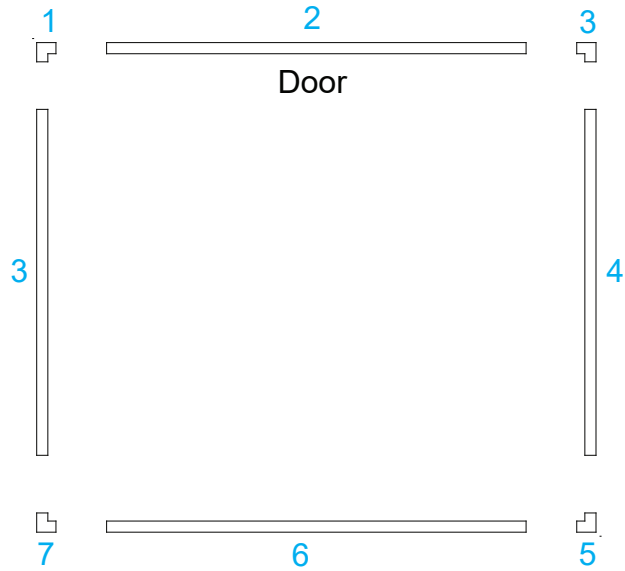


BACK VIEW

Item	Qty.	Description
1	1	38" h Corner Connector
2	1	19" w x 38" h Panel w/ Door
3	1	38" h Corner Connector
4	1	19" w x 38" h Panel
5	1	38" h Corner Connector
6	1	19" w x 38" h Panel
7	1	38" h Corner Connector
8	1	19" w x 38" h Panel

Steps:

- 1) Connect panels and connectors together in numerical order, making sure the Velcro is facing inward.
- 2) Connect shelf supports to Velcro on panels.
- 3) Place shelf on shelf supports.
- 4) Attach graphic to panel [6]. See **Graphic Attachment** detail.
- 5) place pedestal top onto assembled pedestal.



Completed Assembly

